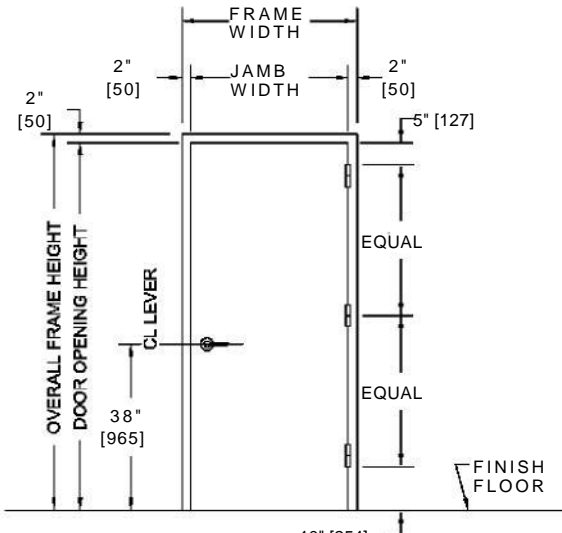


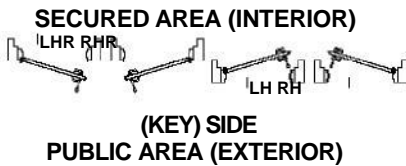
UL FIRE RATED / STC 50 / FLUSH SOUND CONTROL DOOR AND FRAME ASSEMBLY / SINGLE MAGNETIC GASKETS

NOTES:

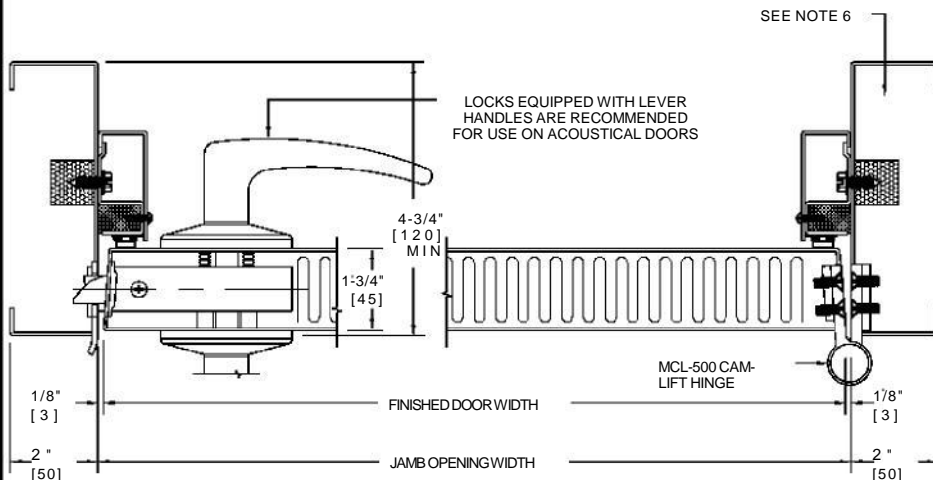
1. All exposed surfaces of door and frame to receive one coat of rust inhibitive prime paint.
1. Door bottom requires flush level sealing surface. Wood, aluminum, or stainless steel threshold recommended. Do not seal against carpet.
1. Frame is equipped with Single "H" compression seals at head and jambs. Door is equipped with an overlapping steel astragal at the meeting stile and a super "H" door bottom.
1. Door weight is 11.0 pounds per square foot.
1. Door can be equipped with standard builder's hardware. Customer to specify. Concealed hardware is not recommended for acoustical doors.
1. Frames equipped with masonry anchors must be grouted full in field. Bolt-in type frames must have all voids in head and jambs packed with 6 to 12 pound density mineral wool and all voids between wall and frame continuously caulked.
1. Unit tested as pair of doors at Riverbank Acoustical Laboratories. Results are described in test report no. TL95-89 with sound transmission results as shown in chart below.
1. Door also tested without positive latching device and achieved an STC49 rating. See STC499590 data sheet for more information.



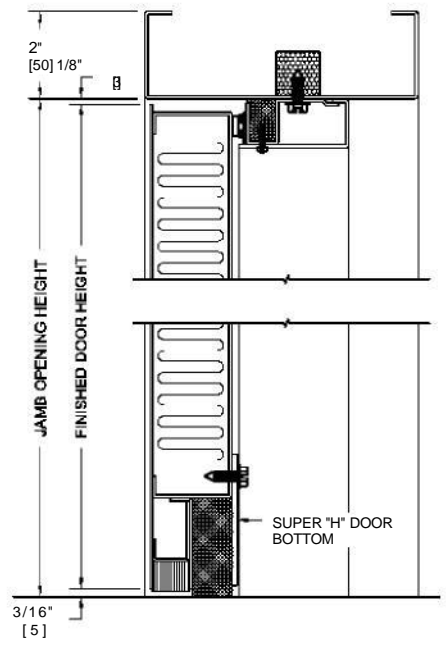
PUBLIC SIDE ELEVATION
 RIGHT HAND REVERSE BEVEL SHOWN



TYPICAL EDGE CONSTRUCTION
 ABOVE AND BELOW LOCK AND HINGE CUTOUTS



HORIZONTAL SECTION



VERTICAL SECTION

SOUND TRANSMISSION LOSS IN dB AT FREQUENCY / HERTZ																			
100	125	160	200	250	315	400	500	630	800	1000	1250	1600	2000	2500	3150	4000	5000	6300	8000
32	33	38	40	44	44	45	49	50	52	48	46	50	52	55	56	54	58	58	58

ALL DIMENSIONS BOTH IN INCHES AND MILLIMETERS