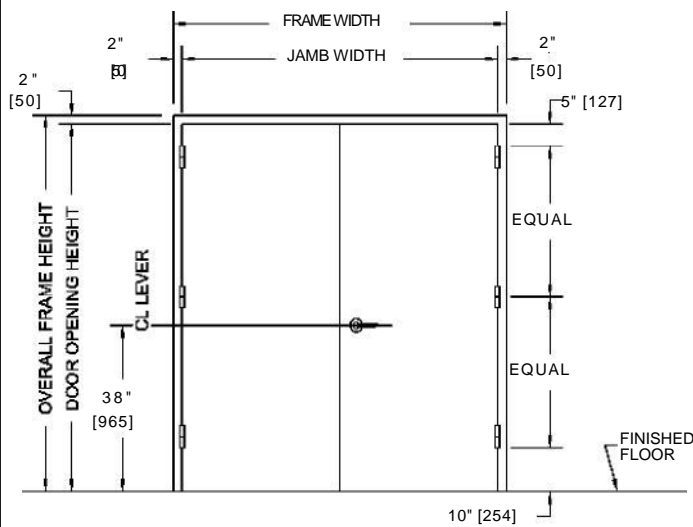


UL FIRE RATED / STC 60 / PAIR OF FLUSH SOUND CONTROL DOOR AND FRAME ASSEMBLY / COMPRESSION SEALS

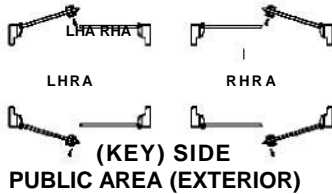


PUBLIC SIDE ELEVATION
RIGHT HAND REVERSE BEVEL SHOWN

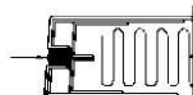
NOTES:

1. All exposed surfaces of door and frame to receive one coat of rust inhibitive prime paint.
2. Door bottom requires flush level sealing surface. Wood, aluminum, or stainless steel threshold recommended. Do not seal against carpet.
3. Frame is equipped with Single "H" compression seals at head and jambs. Door is equipped with an overlapping steel astragal at the meeting stile and a super "H" door bottom.
4. Door weight is 10.9 pounds per square foot.
5. Door can be equipped with standard builder's hardware, Customer to specify. Concealed hardware is not recommended for acoustical doors.
6. Frames equipped with masonry anchors must be grouted full in field. Bolt-in type frames must have all voids in head and jambs packed with 6 to 12 pound density mineral wool and all voids between wall and frame continuously caulked.
7. Standard acoustical fill will have the following Class A UL Fire Hazard Ratings as per ASTM E-84.

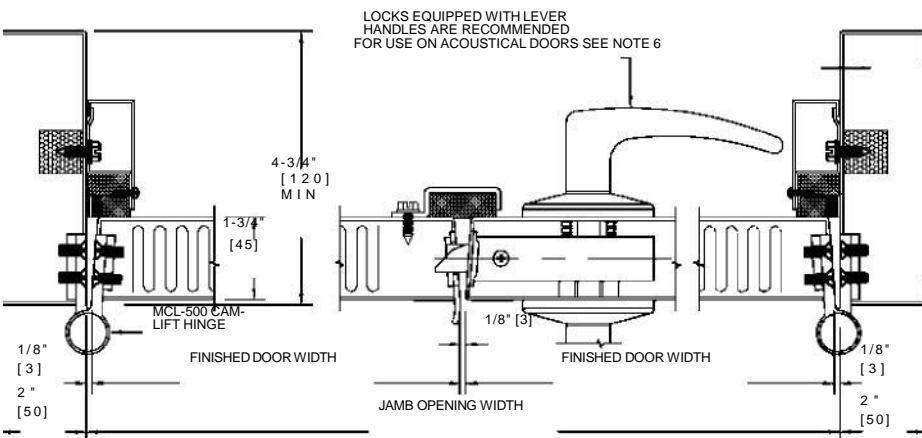
SECURE AREA (INTERIOR)



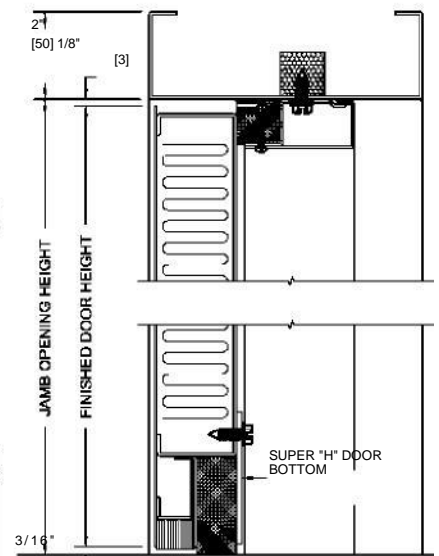
SOLID NEOPRENE SOUND ISOLATOR



TYPICAL EDGE CONSTRUCTION
ABOVE AND BELOW LOCK AND HINGE CUTOUTS



HORIZONTAL SECTION



VERTICAL SECTION

SOUND TRANSMISSION LOSS in dB AT FREQUENCY / HERTZ																	
100	125	160	200	250	315	400	500	630	800	1000	1260	1600	2000	2500	3150	4000	5000
38	40	44	46	47	49	54	58	60	59	57	56	60	62	63	65	67	70

ALL DIMENSIONS BOTH IN INCHES AND MILLIMETERS