

---

---

## Alum A Frame Enclosures

---

Call us at 888-454-6975 Internet: [www.noisecontrolproducts.com](http://www.noisecontrolproducts.com)

---

### Looking For the Most Versatile Enclosures...



Quick Removable Panels



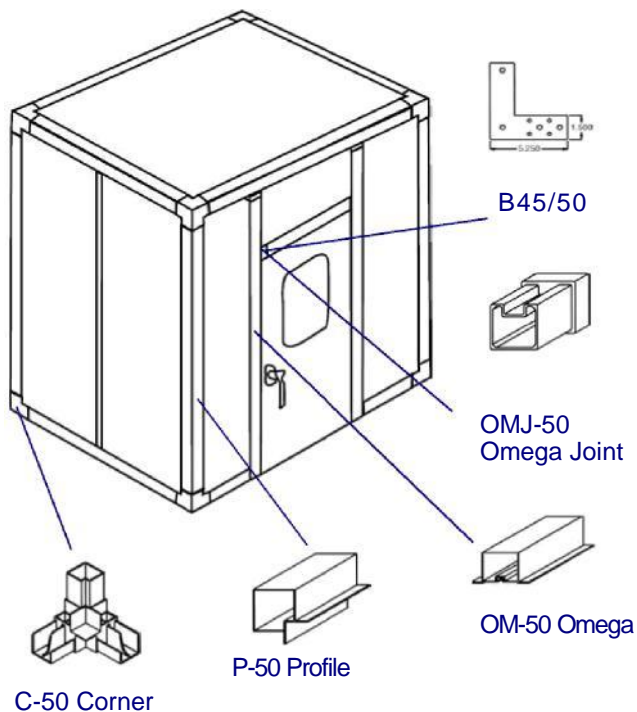
Modular Acoustical Panels



... Call the Experts at **ArtUSA Industries**

You've done everything you can to create a highly functional and aesthetic manufacturing environment. The enclosures you use should enhance rather than detract from your manufacturing facility. That's why it makes sense to put **ArtUSA** on your team. At **ArtUSA** we've been specializing in the design and manufacturing of machine enclosures for over 25 years. We understand how to control noise, splash, mist, dirt and other environmental factors. Our experience includes a variety of different applications such as screw machines, stamping presses, machining centers, grinding machines, lathes and cut-off saws to name a few. So if you are a machine tool user, you can get the highest quality, best looking, custom designed enclosures from **ArtUSA Industries**, allowing you to concentrate your efforts on producing the highest quality products. For complete information and assistance, call today.

Call us at 888-454-6975 Internet: [www.noisecontrolproducts.com](http://www.noisecontrolproducts.com)



- Options:**
- STC Rated Panels up to 55 dBA
  - Mylar, Polyethylene or Fiberglass Cloth Lining
  - Framed Cutouts/Openings
  - Primer or Finish Paint
  - Multiple Gauge Construction
  - Variety of materials available
  - Custom Designs per You
- Acoustical/Thermal Requirements**
- Multiple Insulation Materials and Densities
  - Available in Quick Removable Panels

**Thermal Performance:**  
Individual panels will have a "U" factor 0.07 and an entire panel enclosure will have a 0.14

**Fire Hazard Rating:**  
Standard acoustical fill will have the following UL Fire Hazard Ratings as per ASTM E-84:  
**Flame Spread -15 / Fuel Contributed -0 / Smoke Developed -0**

## Acoustical Performance\* - Standard Construction

| Sound Transmission Loss (ASTM E-90-81) |     |     |     | *All acoustical tests were performed and reported by an Independent Accredited Acoustical Laboratory. Copies of test reports furnished upon request. |      |      |     |
|----------------------------------------|-----|-----|-----|------------------------------------------------------------------------------------------------------------------------------------------------------|------|------|-----|
| Octave Band Center Frequency (Hz)      | 125 | 250 | 500 | 1000                                                                                                                                                 | 2000 | 4000 | STC |
| 4" Panel (TL in dB)                    | 22  | 29  | 40  | 48                                                                                                                                                   | 54   | 60   | 41  |
| 2" Panel (TL in dB)                    | 21  | 24  | 35  | 43                                                                                                                                                   | 52   | 57   | 37  |

| Sound Absorption Coefficients (ANSI/ASTM C243-81 and E795) |     |      |      |      |      |      |      |
|------------------------------------------------------------|-----|------|------|------|------|------|------|
| Octave Band Center Frequency (Hz)                          | 125 | 250  | 500  | 1000 | 2000 | 4000 | NRC  |
| 4" Panel                                                   | .86 | 1.09 | 1.22 | 1.06 | 1.05 | 1.04 | 1.10 |
| 2" Panel                                                   | .31 | .82  | 1.19 | 1.12 | 1.07 | 1.06 | 1.11 |