



"The ART of Noise Control"

For your local ArtUSA Representative

Call: 1-888-454-6973

Internet: www.artusaindustries.us

Transfer Silencers

ACOUSTICAL PERFORMANCE

NOISE REDUCTION EXPRESSED IN DECIBELS

Noise Reduction is the difference between the sound pressure levels between two rooms separated by a wall containing a TRANSFER SILENCER.

ITEM AND DESCRIPTION	OCVATE BAND NUMBERS								SPEECH INTERFERENCE LEVEL (SIL) * on noise reduction
				SPEECH INTERFERENCE BANDS					
	1	2	3	4	5	6	7	8	
TS	23	31	36	40	51	57	61	52	49
CS	15	21	25	32	43	49	49	42	41
DS	11	15	18	22	27	36	39	33	28
GLASS 1/8" THICK	4	9	14	20	25	27	27	27	26
WINDOW 2 1/4" PANES 1/2" AIR SPACE	19	19	19	30	38	38	33	26	36
WINDOW 2 1/8" PANES 1-1/2" AIR	27	30	32	38	48	46	46	47	47
DOORS THIN, NORMALLY HUNG	19	23	25	32	31	31	29	32	30
DOORS THICK, TIGHT CLOSURE	22	25	28	34	35	39	41	45	38
WALLS	23	29	31	39	45	48	52	55	48
FLOORS and CEILINGS	Usually provide satisfactory privacy except for very loud music, loud conversation, foot steps, bangings, etc.								

AIR FLOW DATA - IN CFM

MODEL	STATIC PRESSURE LOSS, INCHES H2O				
	0.05	0.10	0.15	0.20	0.25
143	121	178	221	252	282
145	172	257	320	365	410
147	244	363	444	507	568
303	265	380	470	542	608
305	380	548	674	775	870
307	530	768	943	1081	1215
423	370	535	660	759	850
425	530	768	944	1081	1215
427	741	1075	1320	1515	1703
CS	358	505	620	715	800
DS	205	286	350	410	460

*SPEECH INTERFERENCE LEVEL (SIL) or NOISE REDUCTION (NR)

This is the average noise reduction in the three speech-interference octave bands 4,5 and 6 (500, 1000 and 2000 Hz Center Frequencies, respectively).



"The ART of Noise Control"

For your local ArtUSA Representative

Call: 1-888-454-6973

Internet: www.artusaindustries.us

Transfer Silencers

SPECIFICATIONS

CONSTRUCTION:

Shell - 22 gauge galvanized steel

Baffles - 22 gauge galvanized steel

Fill - inorganic mineral glass fiber

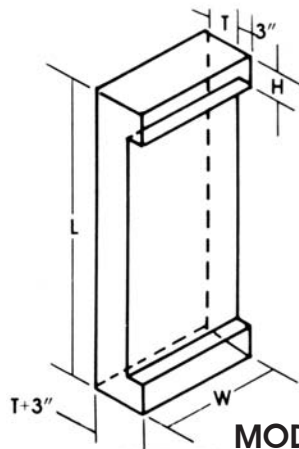
MODEL	W	H	T	LENGTH				
				DS	CS	L	Z	U
TS-143	14	6	3-1/2	-	-	42	48	48
TS-145	14	8	5	-	-	40	48	48
TS-147	14	10	7	-	-	38	48	48
TS-303	30	6	3-1/2	-	-	42	48	48
TS-305	30	8	5	-	-	40	48	48
TS-307	30	10	7	-	-	38	48	48
TS-423	42	6	3-1/2	-	-	42	48	48
TS-425	42	8	5	-	-	40	48	48
TS-427	42	10	7	-	-	38	48	48
DS	22	3	4	24	-	-	-	-
CS	22	8	8	-	24	-	-	-

CONSTRUCTION:

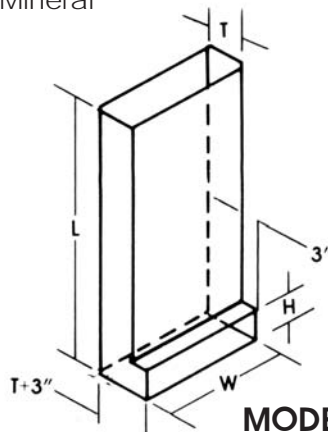
Shell-22 ga. Galv. Steel, BAFFLES:

22 ga. Galv. Perf. Steel, FILL: Inorganic Mineral

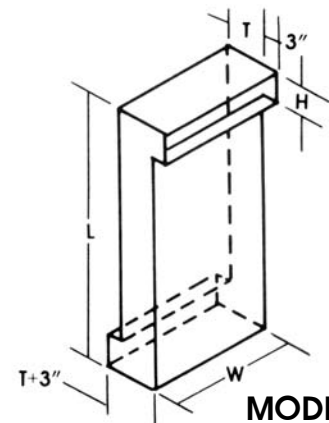
Glass Fiber



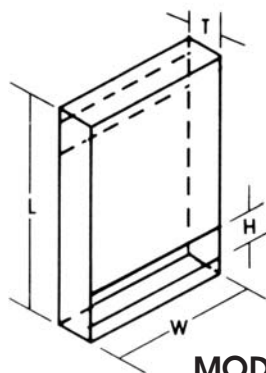
MODEL TS-U



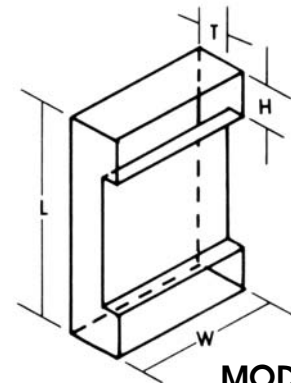
MODEL TS-L



MODEL TS-Z



MODEL DS



MODEL CS