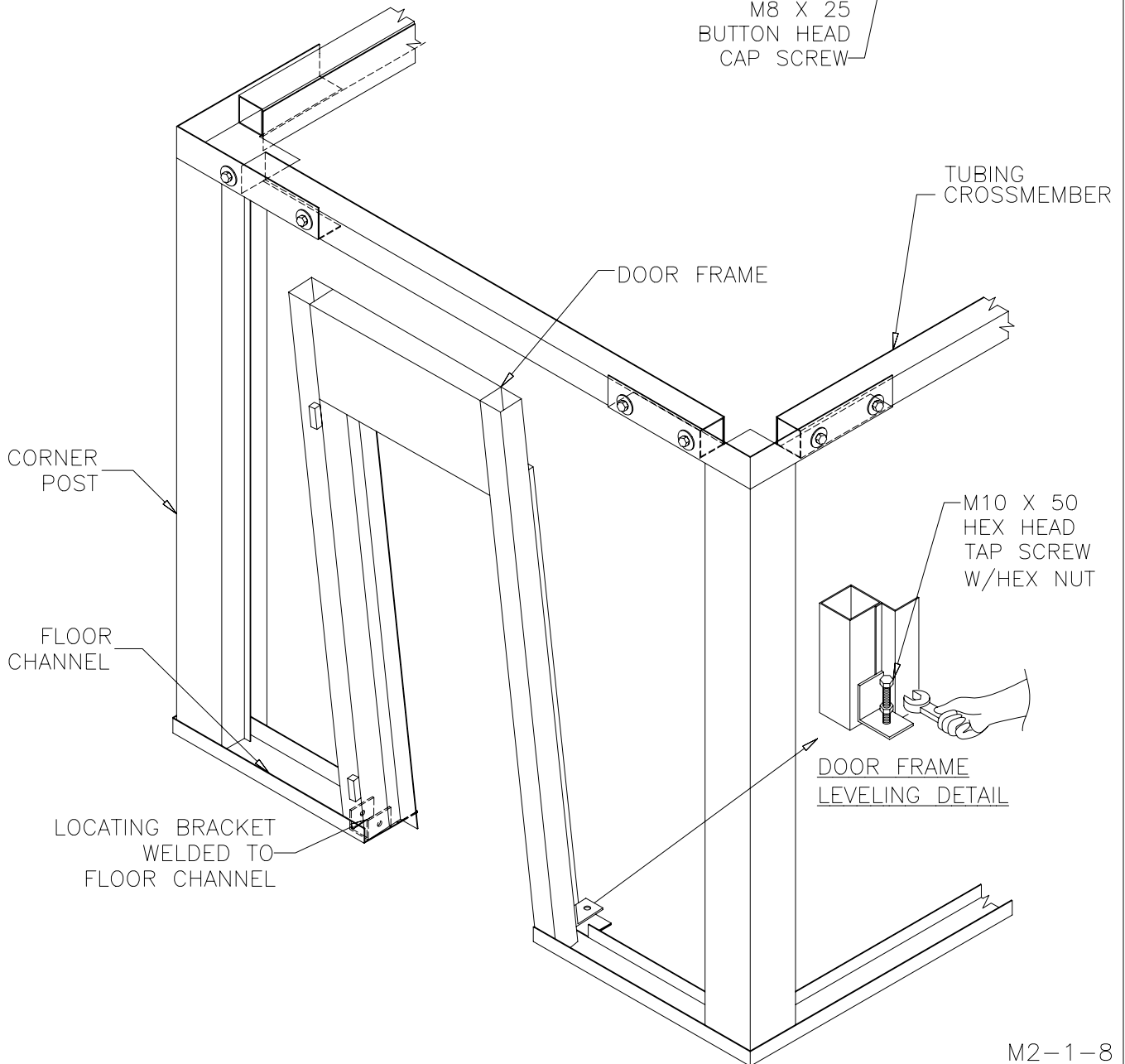
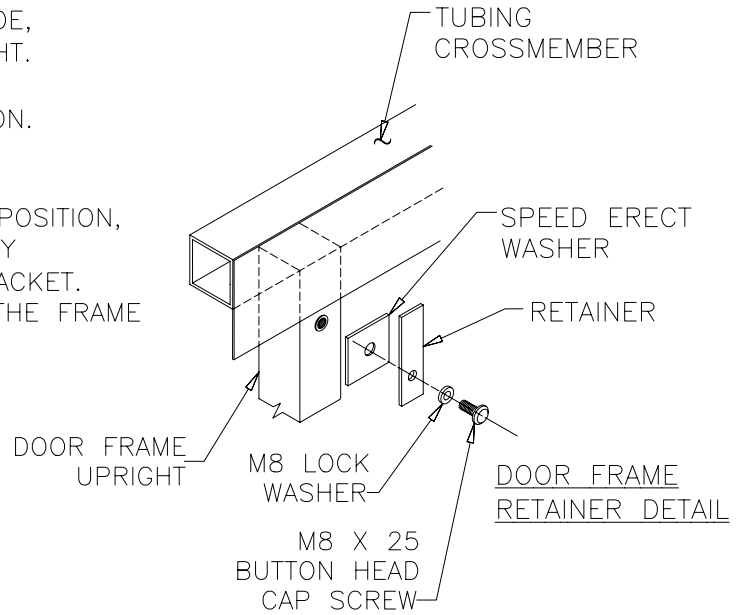
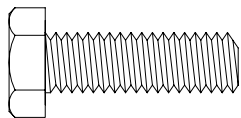


DOOR FRAME INSTALLATION

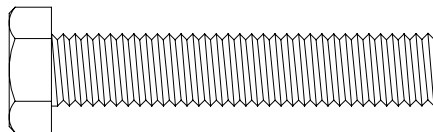
1. SET DOOR FRAME UPRIGHTS OVER LOCATING BRACKETS AT THE FLOOR CHANNEL.
2. INSTALL DOOR FRAME RETAINERS AT INSIDE, (2) PLACES. REFER TO THE DETAIL @ RIGHT.
3. HANG DOOR(S). REFER TO THE HINGED DOOR INSTALLATION.
4. INSTALL M10 X 50 HEX HEAD TAP BOLT WITH M10 HEX NUT. TIGHTEN BOLTS AS REQUIRED, TO LEVEL DOOR(S). ONCE IN POSITION, USE M10 HEX NUT TO LOCK IN PLACE BY TIGHTENING AGAINST THE ANGLE IRON BRACKET. AN EVEN GAP BETWEEN THE DOOR AND THE FRAME OPENING SHOULD ALSO BE MAINTAINED.



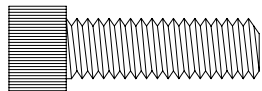
MAIN ENCLOSURE ASSEMBLY HARDWARE (CONT.)



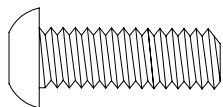
SCREW, M8 x 25
HEX HEAD
NO.F1023



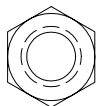
SCREW, M10 x 50
HEX HEAD TAP
NO.112510



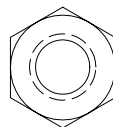
SCREW, M8 x 25
SOCKET HEAD CAP
NO.105036



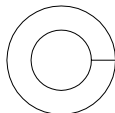
SCREW, M8 x 25
BUTTON HEAD CAP
NO.F3004



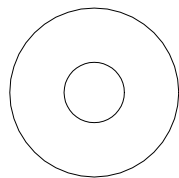
NUT, M8
HEX HEAVY
NO.F3009



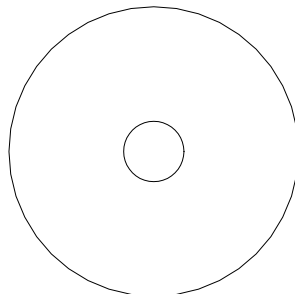
NUT, M10 HEX
NO.F3011



WASHER
M8 LOCK
NO.109953



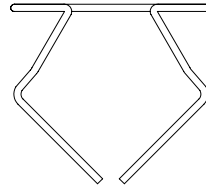
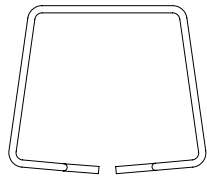
WASHER
M8 FLAT
NO.109955



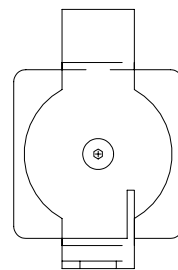
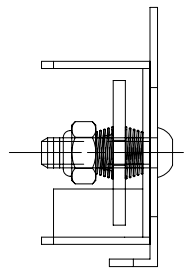
WASHER
M8 FENDER
NO.112599

MAIN ENCLOSURE ASSEMBLY HARDWARE (CONT.)

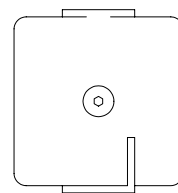
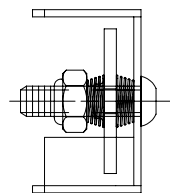
NOTE: COMPONENTS ARE NOT DRAWN TO SCALE.



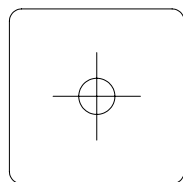
SPRING CLIP
NO.88149



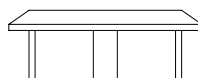
FASTENER, SPEED ERECT TOP/BOTTOM
NO.114462



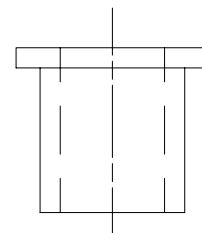
FASTENER, SPEED ERECT MIDDLE
NO.112601



WASHER,
SPEED ERECT
NO.115882



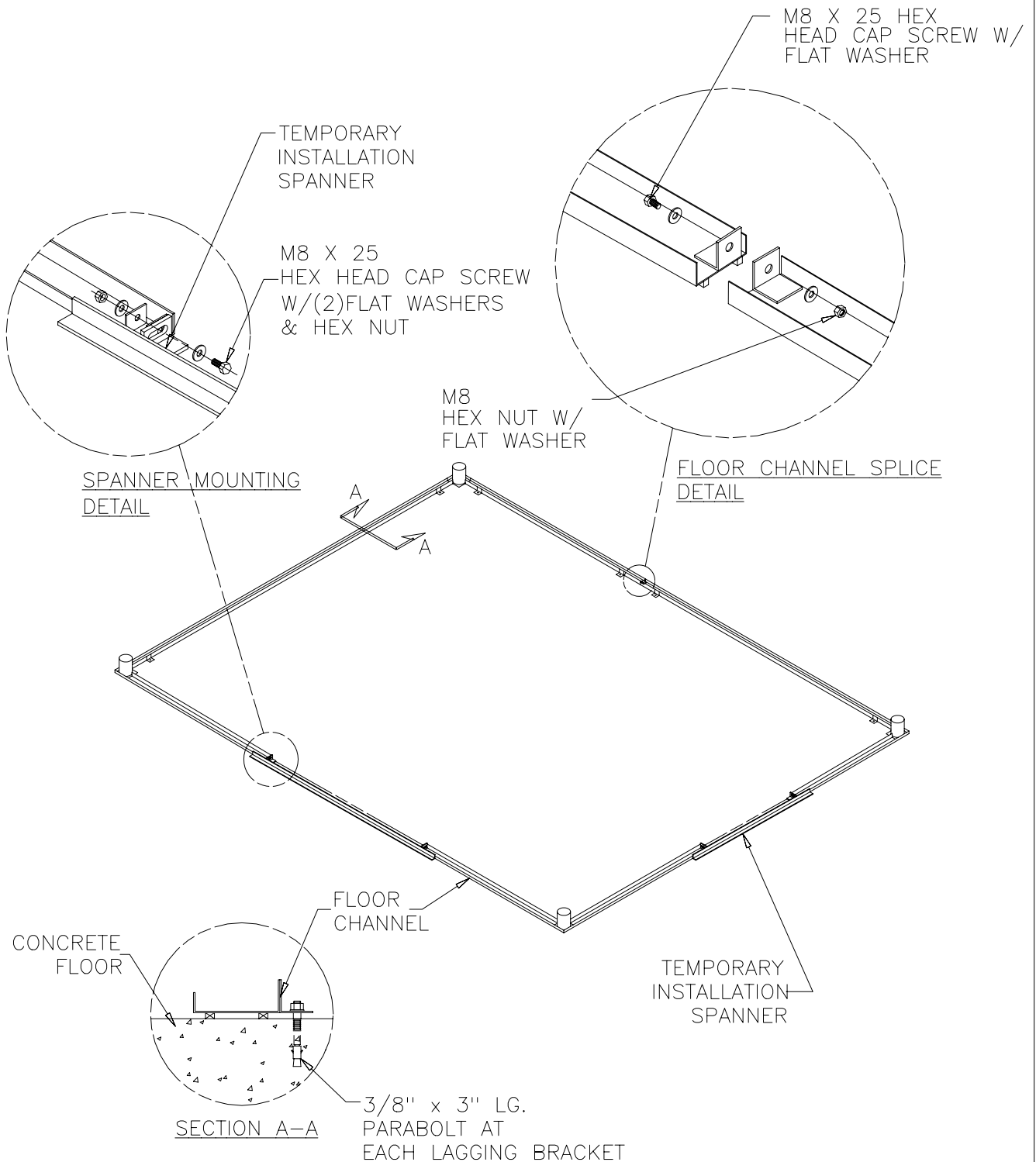
PLUG,
1"SQ.PLASTIC
NO.110004



BEARING,
BRONZE FLANGED
NO.110005

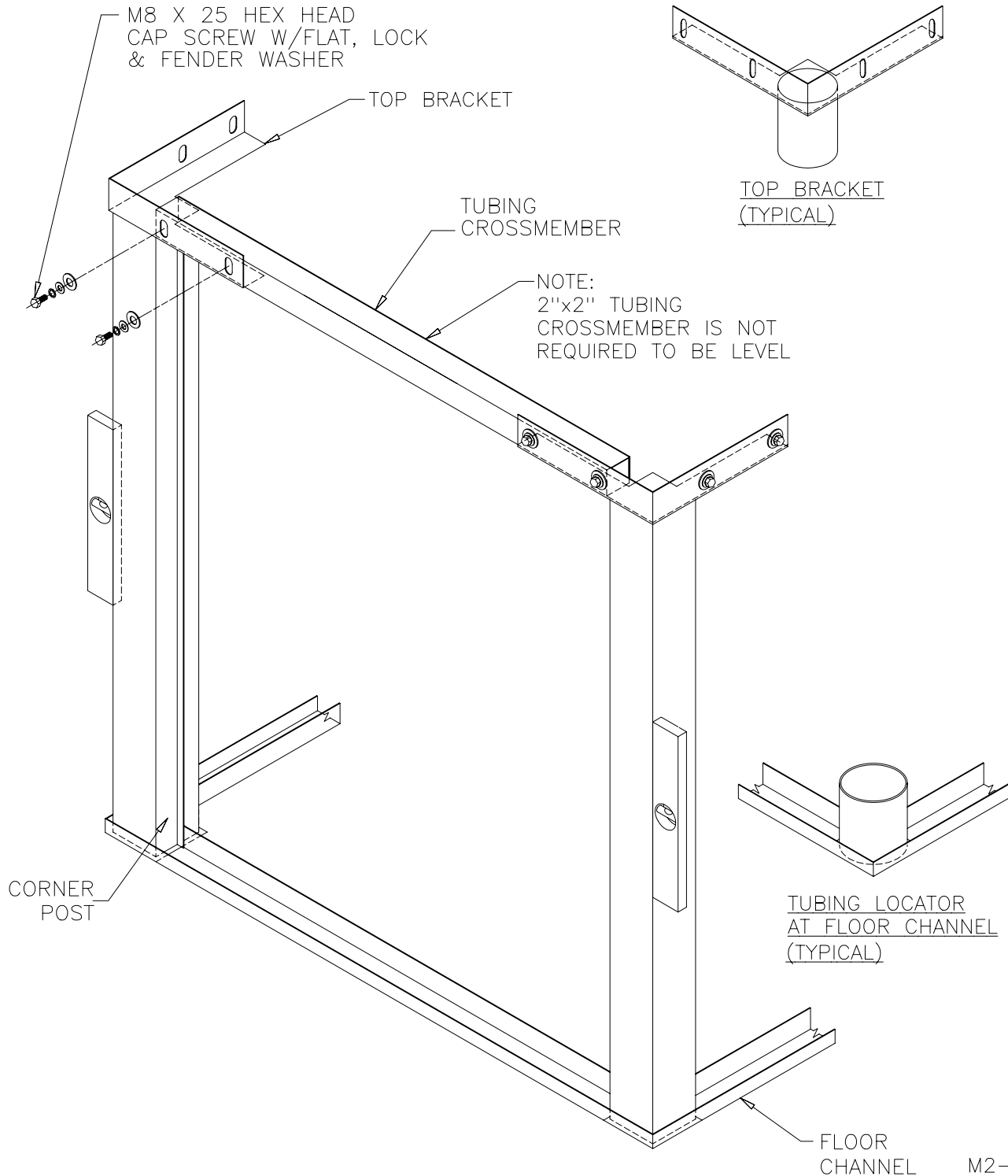
FLOOR CHANNEL INSTALLATION

1. REFER TO WALL SECTION ON ASSEMBLY DRAWING FOR ACOUSTIC & GASKETING DETAILS.
2. BOLT FLOOR CHANNEL AND TEMPORARY INSTALLATION SPANNERS TOGETHER.
3. SET FLOOR CHANNEL ASSEMBLY TO PROPER POSITION (REFER TO ASSEMBLY DRAWING FOR REFERENCE DIMENSIONS) AND LAG TO FLOOR, SEE SECTION "A-A" (AN M10 MASONRY BIT HAS BEEN PROVIDED).



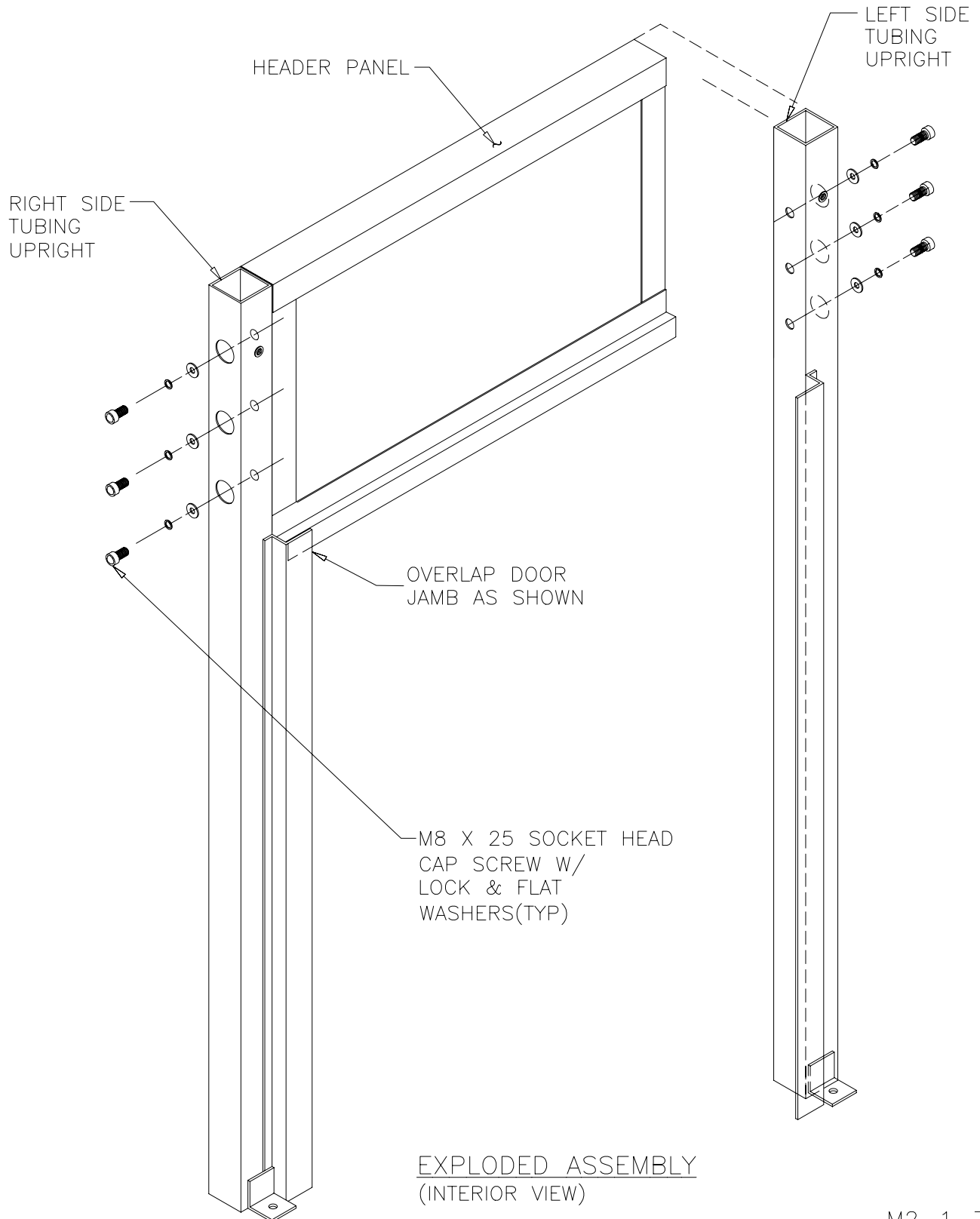
CORNER POST AND CROSSMEMBER INSTALLATION

1. REFER TO WALL SECTION ON THE ASSEMBLY DRAWING FOR ACOUSTIC & GASKETING DETAILS.
2. PLACE CORNER POSTS INTO FLOOR CHANNEL OVER THE 3-3/4"DIA.TUBING LOCATORS.
3. PLACE CROSSMEMBERS ONTO CORNER POSTS. SET THE TOP BRACKET INTO THE POST USING THE 3-3/4"DIA.TUBING LOCATORS. FASTEN THE BRACKET AS SHOWN.
4. NOTE: THE OVERALL WALL DIMENSIONS SHOULD BE MAINTAINED, BOTH AT THE BOTTOM AND TOP. REFER TO YOUR SPECIFIC ASSEMBLY DRAWING FOR REQUIRED DIMENSIONS.



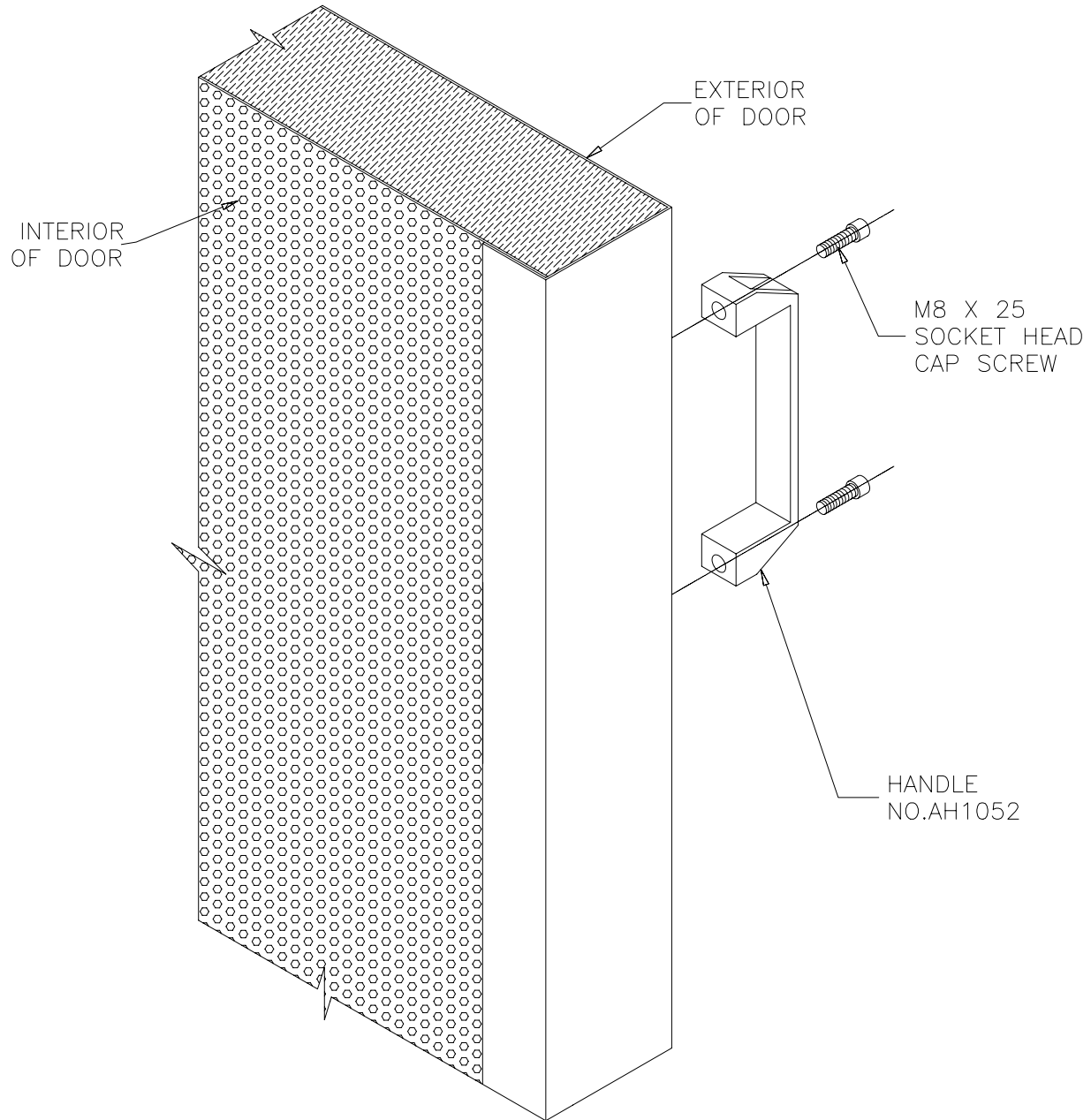
THREE PIECE DOOR FRAME ASSEMBLY

1. THREE PIECE DOOR FRAMES MUST BE ASSEMBLED PRIOR TO INSTALLATION.
2. SET TUBING UPRIGHTS TO HEADER PANEL EDGES AND SECURE AS SHOWN.
3. REFER TO THE DOOR FRAME INSTALLATION TO ASSEMBLE ONTO THE ENCLOSURE.
4. HINGED DOOR FRAME IS SHOWN BELOW, SLIDING DOOR FRAME ASSEMBLY IS TYPICAL.



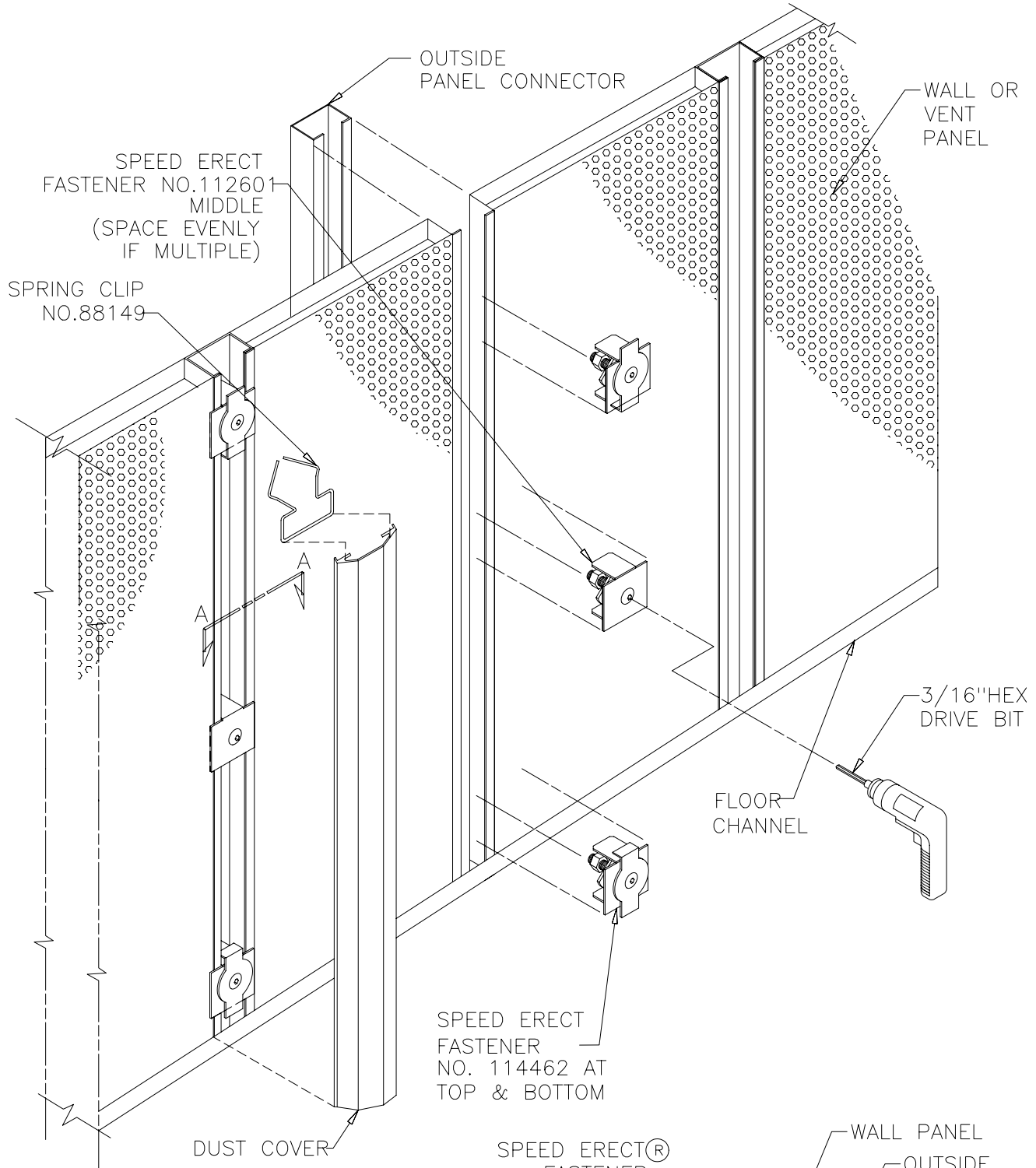
DOOR HANDLE ASSEMBLY

1. MOUNT HANDLE TO EXTERIOR OF DOOR WITH M8 X 25 SOCKET HEAD CAP SCREWS INTO TAPPED HOLES PROVIDED IN DOORS.

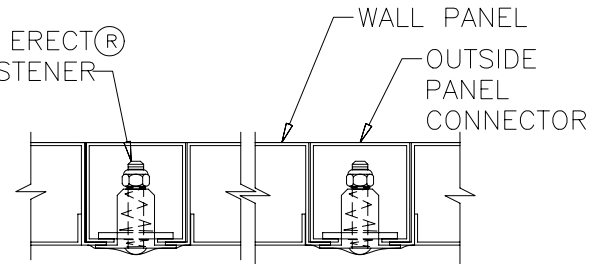


PARTIAL INSIDE VIEW
AT DOOR

SPEED ERECT FASTENER AND ABSORBER INSTALLATION

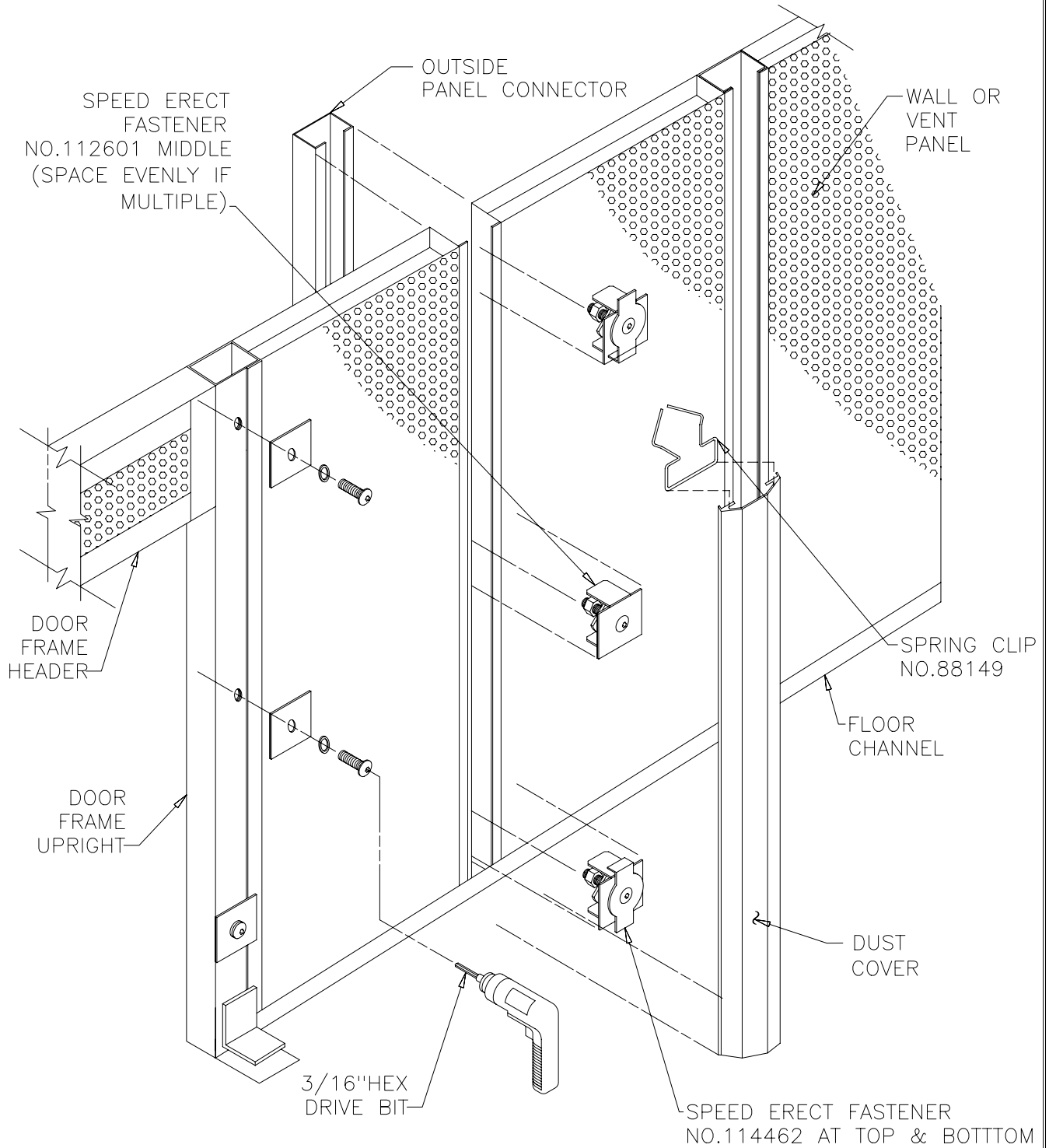


OUTSIDE PANEL CONNECTOR LENGTH	NUMBER OF SPEED ERECT FASTENERS PER CONNECTOR	TOP	MID.	BOT.
≤ 48"	(2) (TOTAL)	(1)	(0)	(1)
>48 & ≤96	(3) (TOTAL)	(1)	(1)	(1)
>96 & ≤120	(4) (TOTAL)	(1)	(2)	(1)
>120 & ≤144	(5) (TOTAL)	(1)	(3)	(1)
>144 & ≤168	(6) (TOTAL)	(1)	(4)	(1)

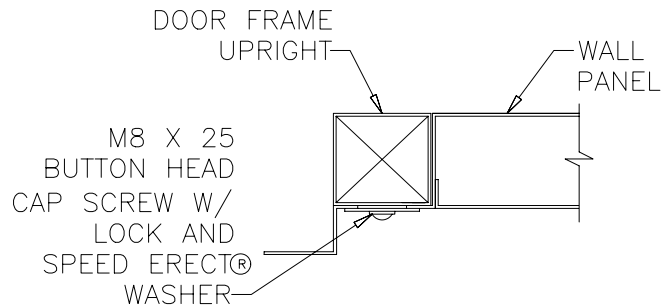


SECTION A-A

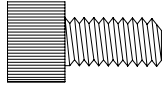
SPEED ERECT FASTENER (at Door Frame) INSTALLATION



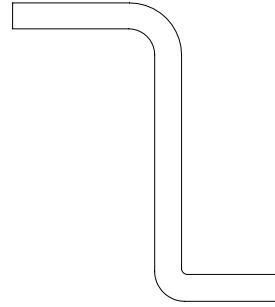
NOTE:
DOOR FRAME IS
SHOWN WITHOUT
THE VERTICAL
DOOR JAMB



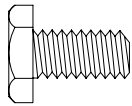
SLIDING DOOR ASSEMBLY HARDWARE
(IN ADDITION TO MAIN ENCLOSURE HARDWARE)



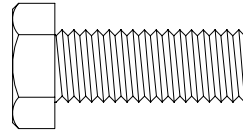
SCREW, M6 x 12
SOCKET HEAD CAP
NO.114471



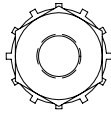
CLAMP,
TRACK SUPPORT
NO.103873



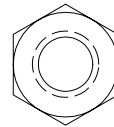
SCREW, M6 x 12
HEX HEAD CAP
NO.105924



SCREW, M10 x 25
HEX HEAD CAP
NO.F3002



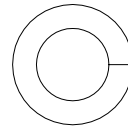
NUT, 1/4-20 LOCK
NO.F1205



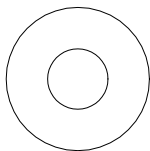
NUT, M10
NO.F3011



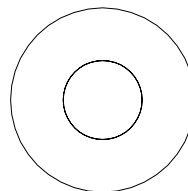
WASHER
M6 LOCK
NO.109954



WASHER
M10 LOCK
NO.106240



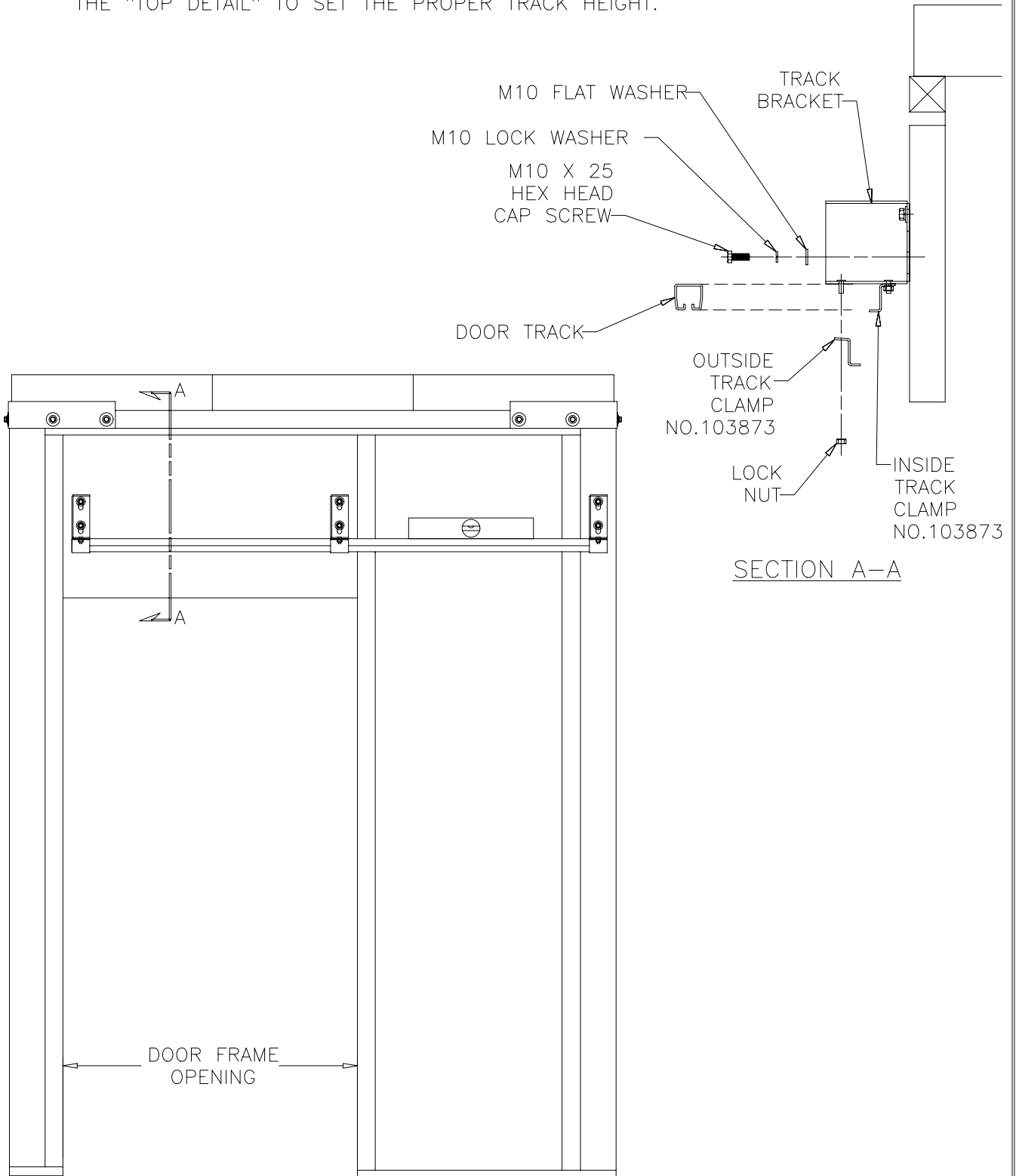
WASHER
M6 FLAT
NO.10956



WASHER
M10 FLAT
NO.112609

SLIDING DOOR TRACK / BRACKET INSTALLATION

1. MOUNT TRACK BRACKETS TO THE DOOR FRAME HEADER PANEL AND / OR ADJACENT WALL PANEL(S) AND POST(S). ALLOW THE BRACKETS TO "BOTTOM OUT" ON THE MOUNTING SLOTS.
 2. MOUNT THE INSIDE TRACK BRACKET CLAMPS TO THE BRACKETS.
 3. HANG THE TRACK AND INSTALL THE OUTSIDE TRACK BRACKET CLAMPS.
 4. LEVEL THE ENTIRE ASSEMBLY (FROM END TO END) AND TIGHTEN ALL FASTENERS.
- TIP:
LOCATE THE HIGH POINT OF THE FLOOR AND REFERENCE THE DIMENSIONS FROM THE "TOP DETAIL" TO SET THE PROPER TRACK HEIGHT.



PARTIAL ELEVATION AT SINGLE SLIDING DOOR

TOP DETAIL FOR SINGLE 2" SLIDING DOOR

1. MOUNT / INSTALL COMPONENTS AS SPECIFIED BELOW.

M8 X 25
HEX HD. CAP SCREW
w/FLAT &
LOCK WASHERS

NO. 10 x 3/4" LG.
SELF-DRILLING
SELF-TAPPING
TEK SCREW

1" THK. FOAM
NO. AA1000
(HC ONLY)

TRACK
FLASHING

DURATRACK
UPPER DOOR
TRACK BRKT. ASS'Y.
NO. A71015-1

16-GA.
TRACK
NO. AH1004

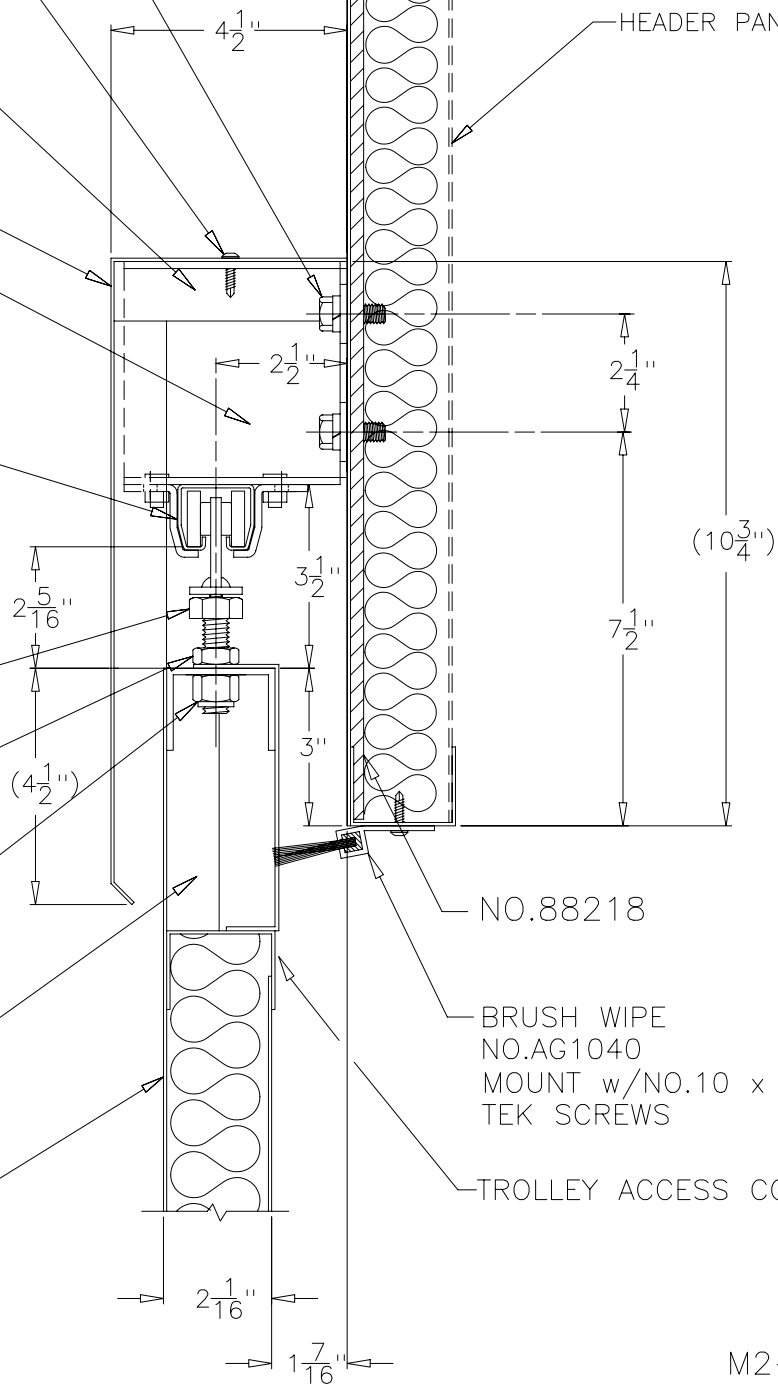
TROLLEY
NO. AH2005

JAM NUT
1/2-13

NYLOCK NUT
1/2-13

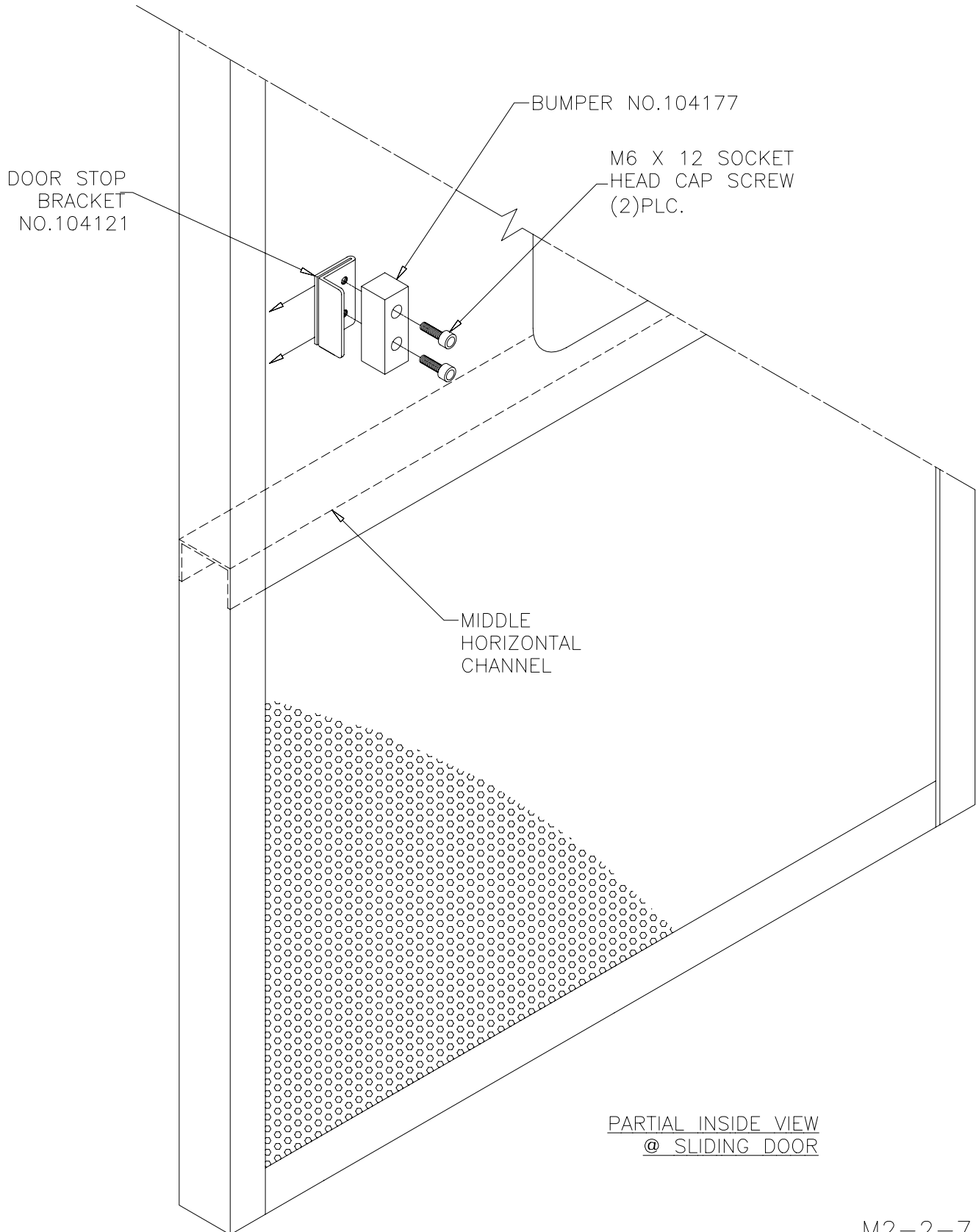
(1) ROW
1" THK. FOAM
NO. AA1000 (TYP.)

DOOR



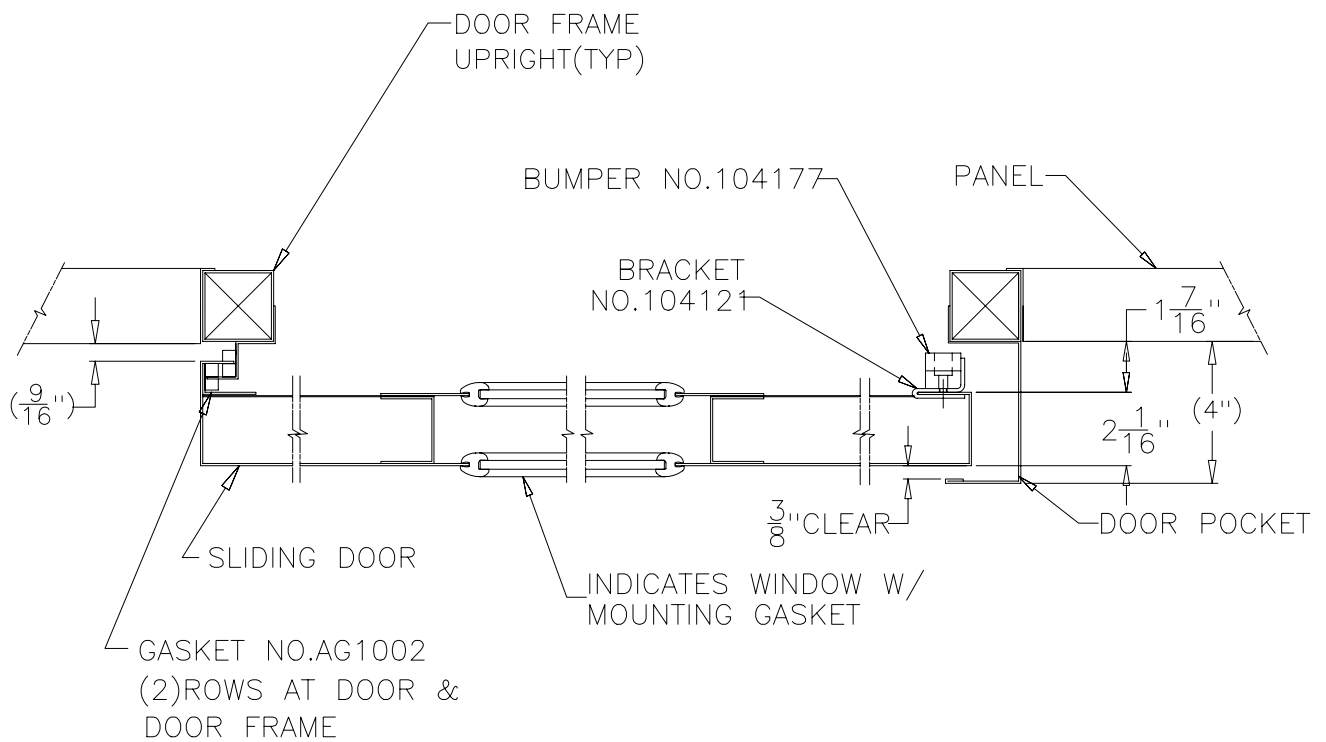
SLIDING DOOR STOP ASSEMBLY

1. MOUNT BUMPER TO DOOR STOP BRACKET WITH M6 X 12 SOCKET HEAD CAP SCREWS.
2. DOOR STOP BRACKET NO.104121 TO BE MOUNTED ABOVE THE MIDDLE HORIZONTAL CHANNEL.
3. BRACKET NO.104121 CLIPS ONTO THE RETURN EDGE OF THE DOOR.



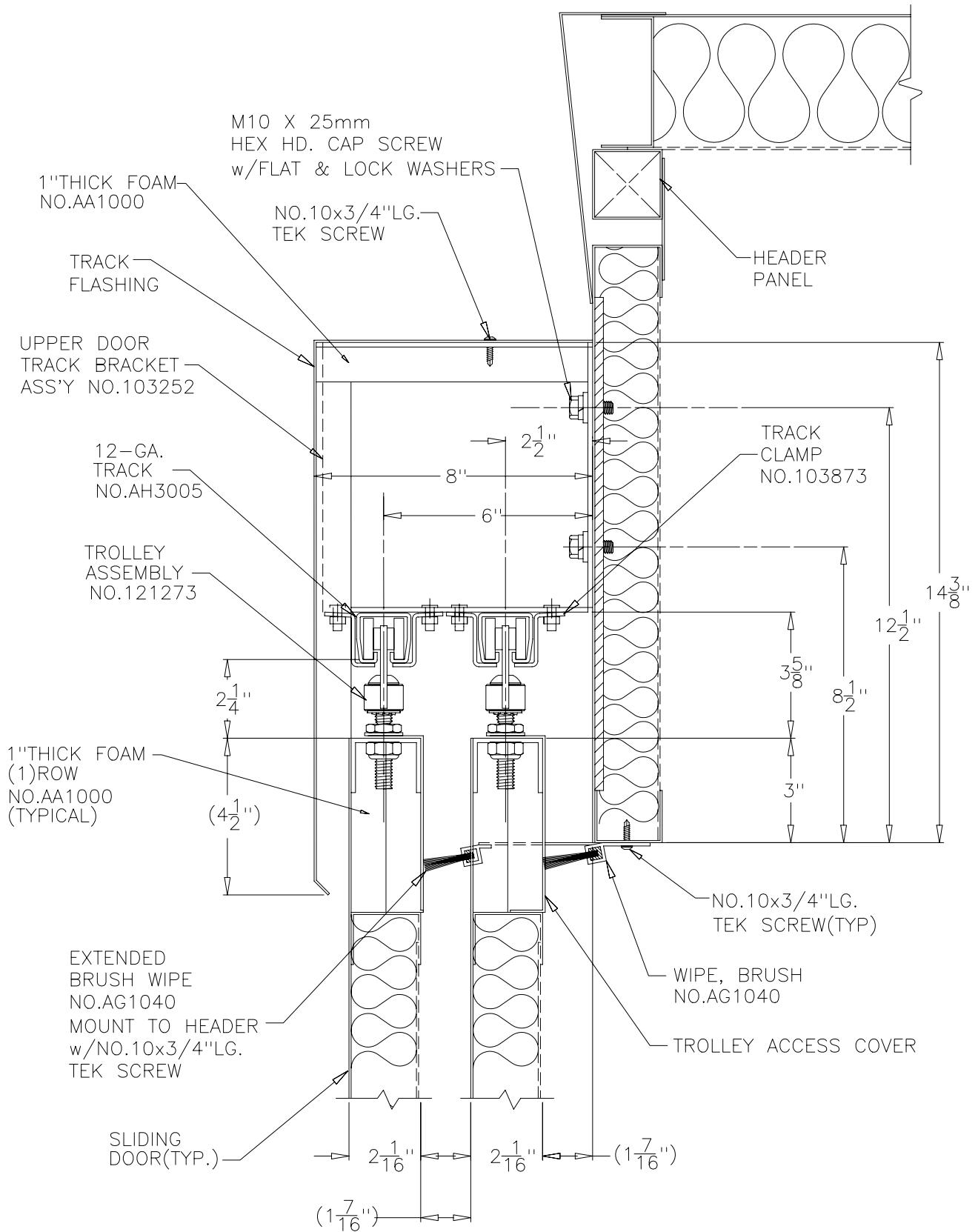
DOOR GASKET DETAIL FOR SINGLE 2" SLIDING DOOR

1. ADHERE $3/8" \times 3/8"$ PSA-BACKED GASKET TO INTERLOCKING VERTICAL FLANGES AS SHOWN BELOW.
2. MOUNT DOOR STOP BUMPER AND BRACKET AS PER SEPARATE DETAIL.



TOP DETAIL FOR DOUBLE 2" SLIDING DOOR

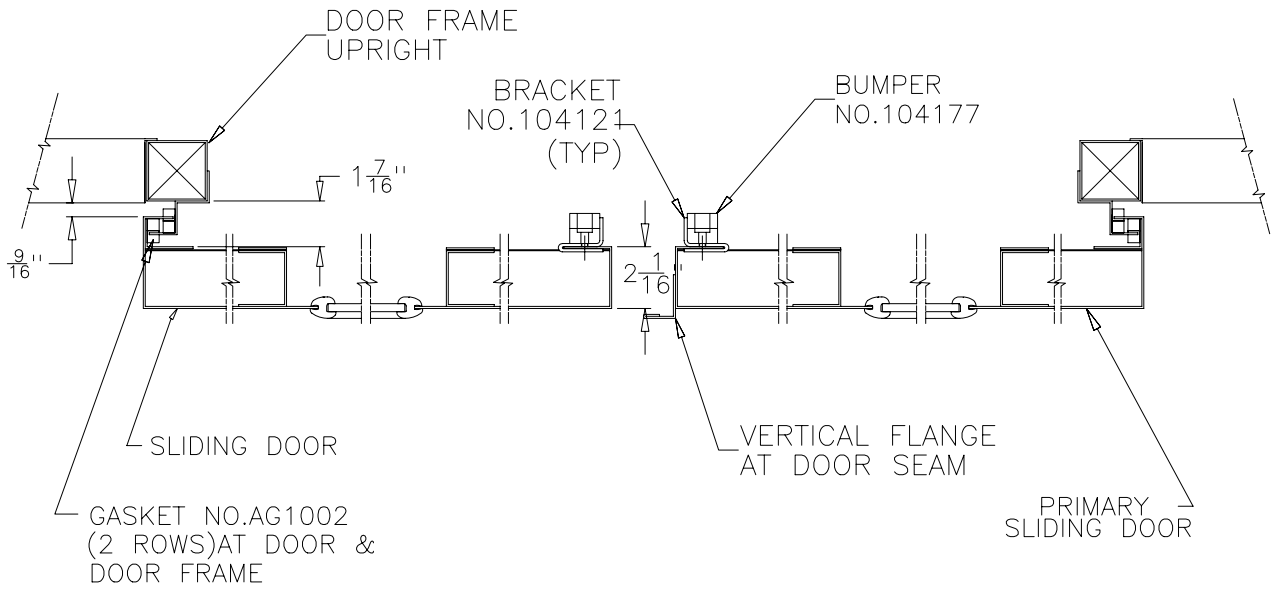
1. MOUNT / INSTALL COMPONENTS AS SPECIFIED BELOW.



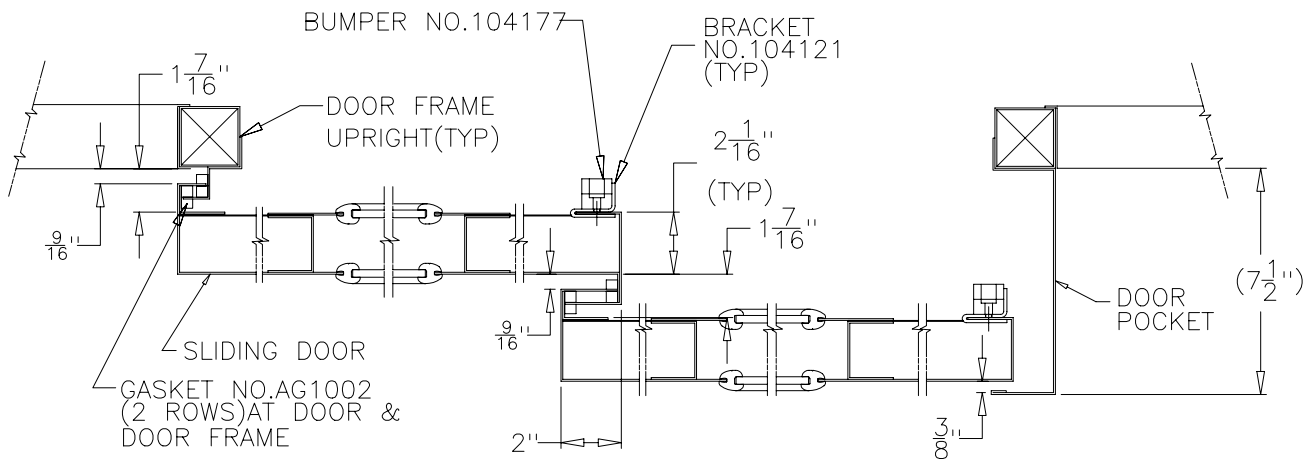
DOOR GASKET DETAIL FOR DOUBLE 4" SLIDING DOOR

1. ADHERE 3/8"x3/8" PSA-BACKED GASKET TO INTERLOCKING VERTICAL FLANGES AS SHOWN BELOW.
2. MOUNT DOOR STOP BUMPER AND BRACKET AS PER SEPARATE DETAIL.

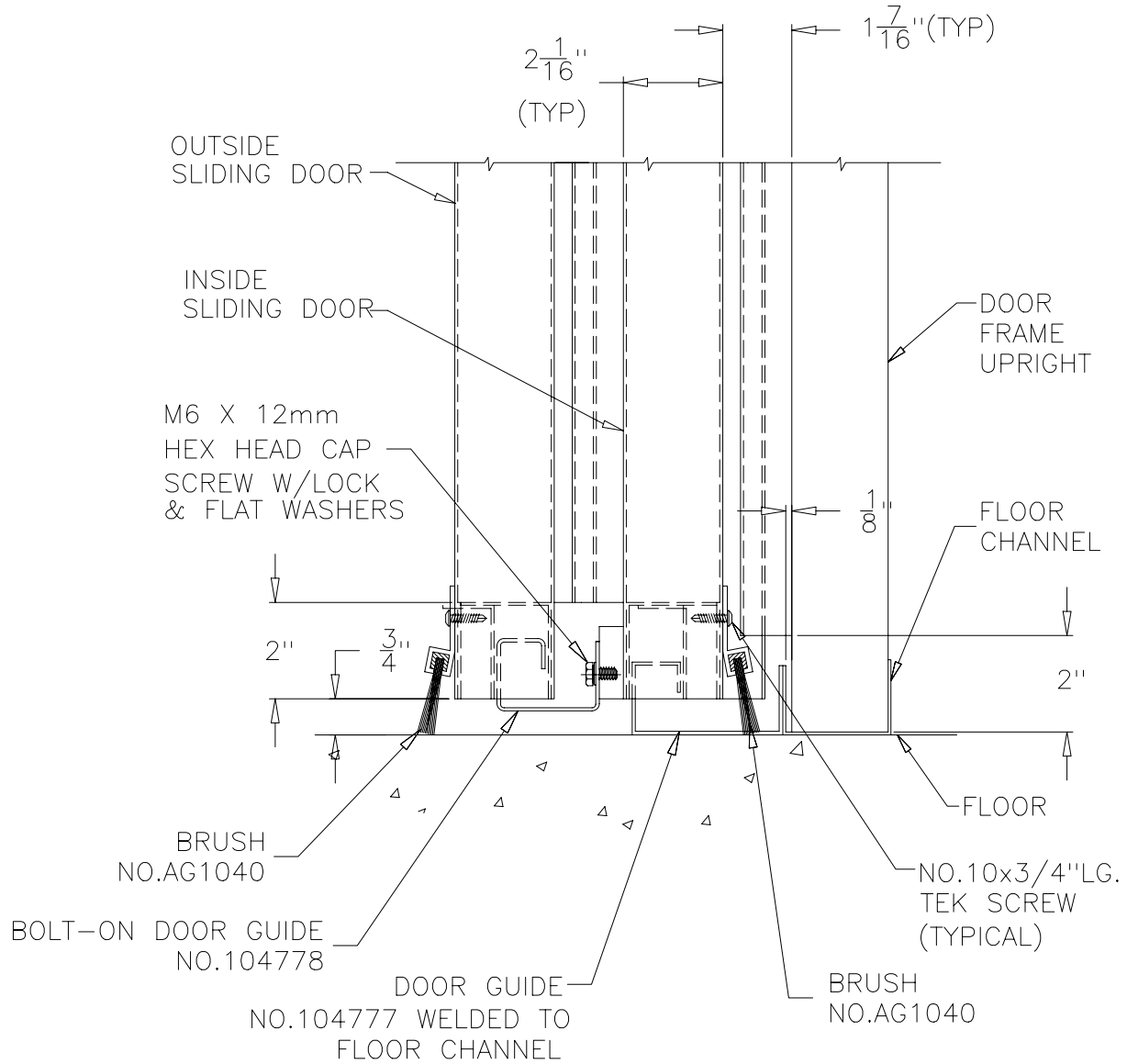
DOUBLE DOORS / SINGLE TRACK



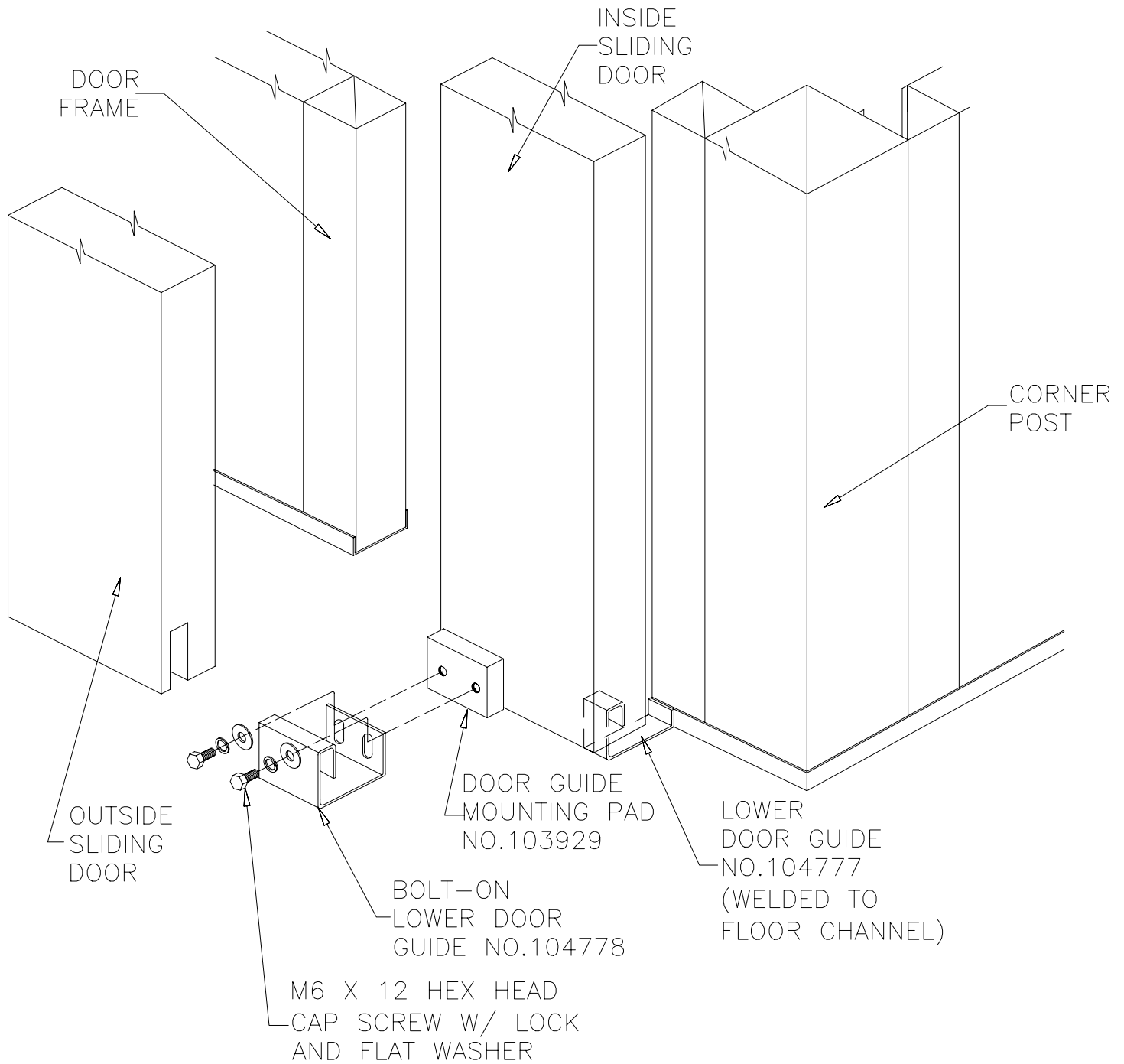
DOUBLE DOORS / DOUBLE TRACKS



LOWER DETAIL FOR DOUBLE 2" SLIDING DOOR



BOLT-ON LOWER DOOR GUIDE DETAIL



PARTIAL OUTSIDE VIEW
@ SLIDING DOORS